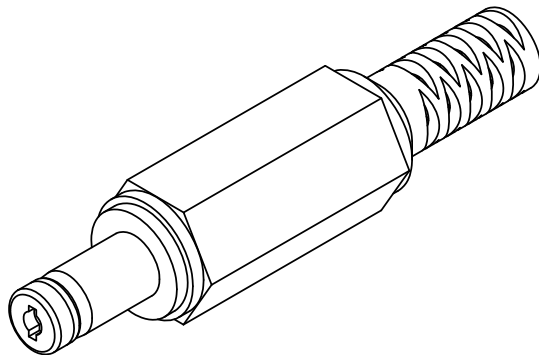
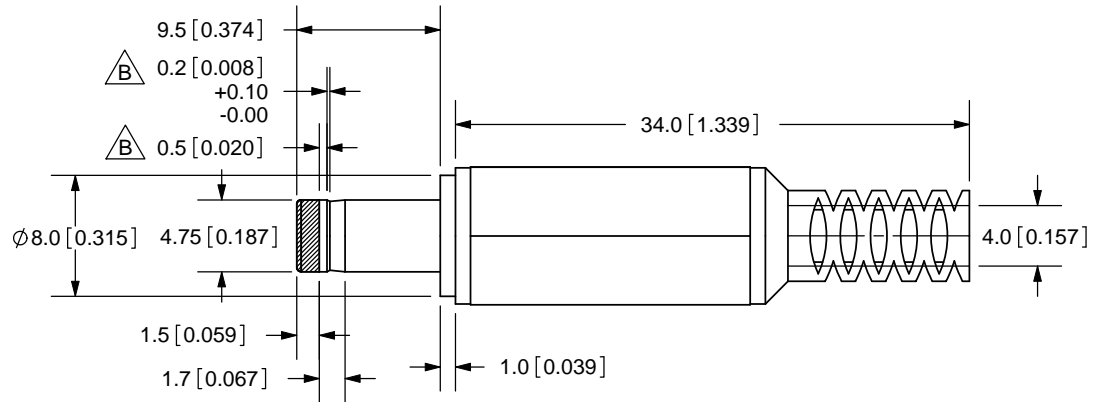
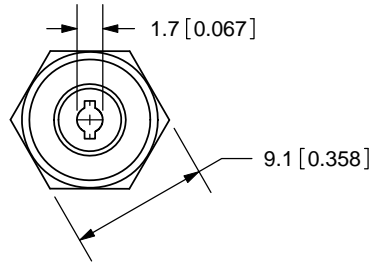


REV.	DESCRIPTION	DATE
A	NEW DRAWING	5/15/2006
B	added dimensions	8/30/2007



TOLERANCE:
 X.X ± 0.2 mm
 X.XX ± 0.1 mm
 X.XXX ± 0.05 mm



CUI INC

20050 SW 112th Ave.
 Tualatin, OR 97062
 Phone: 503-612-2300
 800-275-4899
 Fax: 503-612-2383
 Website: www.cui.com

SPECIFICATIONS:
 RATING: 24V DC @ 2.5A

	MATERIAL	PLATING	TITLE: DC POWER PLUG	REV: B
COVER	PVC	Black Color	PART NO. PP-014	UNITS: MM [INCHES]
BARREL	Brass	Nickel		
TERMINALS	Brass	Nickel	DRAWN BY: ZRJ	APPROVED BY:
TIP INSULATOR	POM	Yellow Color		

PC FILE NAME:
 PP-014

COPYRIGHT 2007 BY CUI INC.